



M5001-24-4x0-10Vdc



M5001-24-4x0-10Vdc



GHU Room / Duct

Combined temperature and humidity controller with display

General

The M5001-24-4x0-10Vdc controller is the best multi-purpose display controller on the market today. Allowing for proportional control of both temperature and humidity, as well as On/Off control of the fan, the M5001-24-4x0-10Vdc offers users unique flexibility and simplicity.

The M5001-24-4x0-10Vdc offers 4 different proportional outputs; Cool, Heat, Humidifier and De-humidifier.

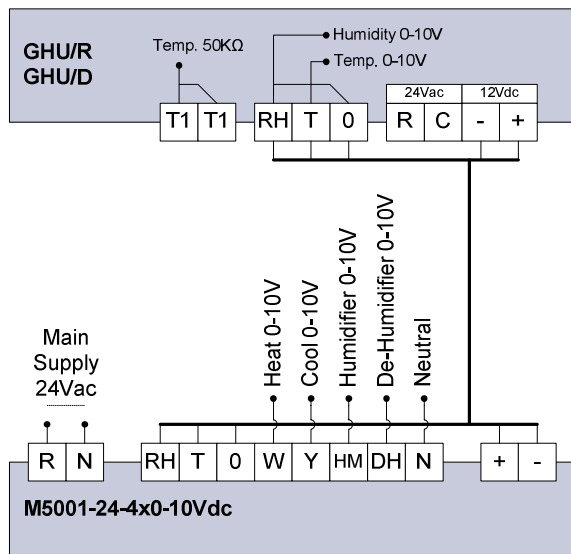
Additional features such as wide temperature and humidity ranges, adjustable differentials and adjustable dead-zones, make the M5001-24-4x0-10Vdc a truly unique and practical controller.

Features

- Main Supply – 24Vac
- Range temperature from 0°C-60°C
- Range humidity from 10%-99% RH
- Separate Proportional Cool and Heat outputs (0-10Vdc or 2-10vdc)
- Separate Proportional Humidifier and De-Humidifier outputs (0-10Vdc or 2-10Vdc)
- Adjustable temperature differential (0.5°C-1.5°C) and dead-zone (0.5°C-2.5°C)
- Adjustable humidity differential (0.5%-3.0% RH) and dead-zone (0.5%-5.0% RH)
- Automatic operation
- Works with Meitav-tec's GHU sensor- combined temperature and humidity sensor for room or duct
- Input for Airflow



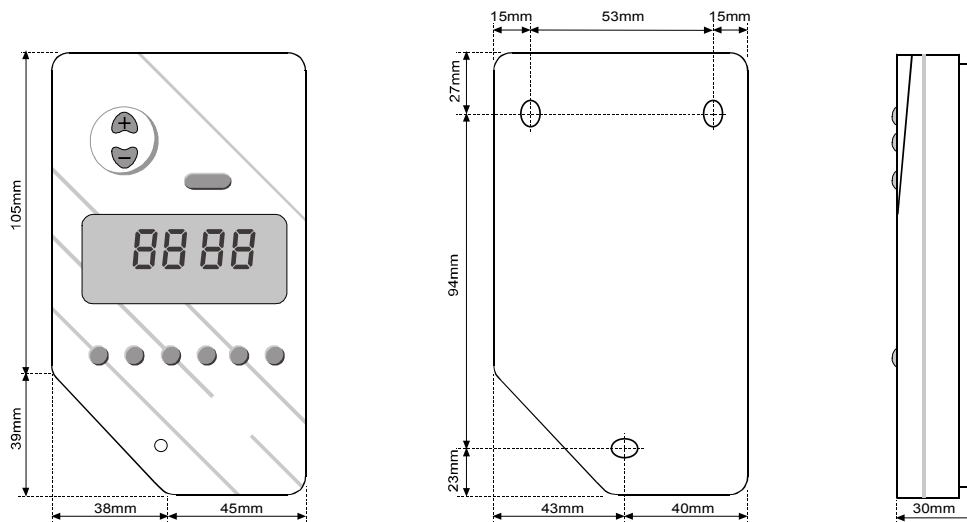
Electrical Diagram



Specifications

Temp. Range	10°C ÷ 30°C
Weight	0.25 Kg
Scale	°C
Color	White
Accuracy	1°C
Plastic	PC/ABS
Flammability	UL94V-0
Temp. Input	50K@25°C

Dimensions



Accessories

Part Number	Description
GHU/R	Room Temperature and Humidity Sensor
GHU/D	Duct Temperature and Humidity Sensor
WP2	Decorative Plastic Back Plate
WP3	Decorative Plastic Back Plate - Wide