



# Manometer for gas network sealing

**MP 130**

**Nouveau**  
**CE**



## Functions

- Pressure
- Selection of units
- Self-calibration
- Display of minimum and maximum value
- HOLD function
- Adjustable automatic shut-off
- Adjustable backlight

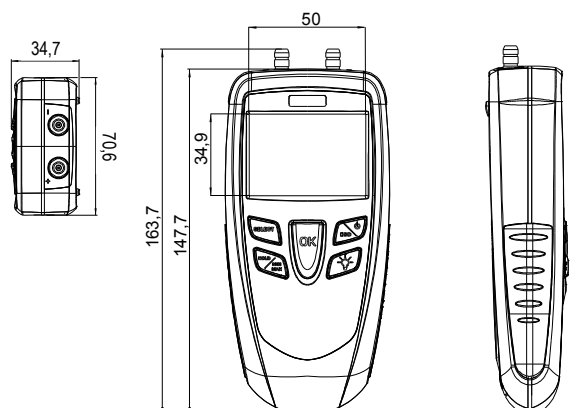
## Technical features

|                            |   |
|----------------------------|---|
| Measuring element.....     | piezoresistif sensor  |
| Overpressure allowed.....  | 700 mbar  |
| Pressure connector.....    | Ø 4,6 mm threaded connectors made of nickelled brass  |
| Display.....               | 4 lines, LCD technology. Size 50 x 34,9 mm.<br>2 lines of 5 digits with 7 segments (value)<br>2 lines of 5 digits with 16 segments (unit) |
| Housing.....               | Shock-proof made of ABS<br>IP54 protection  |
| Keypad.....                | Metal coated with 5 keys  |
| Conformity.....            | Electromagnetical compatibility (NF EN 61326-1 guideline)   |
| Power supply.....          | 1 alkaline battery 9V 6LR6  |
| Operating temperature..... | from 0 to 50°C  |
| Storage temperature.....   | from -20 to 80°C  |
| Auto shut-of.....          | adjustable from 0 to 120 min  |
| Weight.....                | 190 g   |
| Languages.....             | French, English   |



## Dimensions (mm)

- Top view
- Front view
- Side view



## Specifications

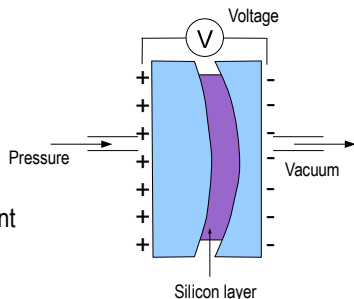
|                 | Measurement units           | Measuring range          | Accuracy*   | Resolutions   |
|-----------------|-----------------------------|--------------------------|---|---|
| <b>PRESSURE</b> |                             |                          |   |   |
| MP 130          | kPa, inWg, mbar, mmHg, daPa | from 0 to $\pm 130$ mbar | From 0 to 20 mbar : $\pm 0,4\%$ of full scale $\pm 0,01$ mbar<br>From 20 to 130 mbar : $\pm 0,3\%$ of full scale $\pm 0,1$ mbar | From 0 to 20 mbar : 0,01 mbar<br>From 20 to 130 mbar : 0,1 mbar |

\*All accuracies indicated in this document were stated in laboratory conditions and can be guaranteed for measurements carried out in the same conditions, or carried out with required compensation.

## Working principle

### Piezoresistif sensor

Piezoresistif sensor is a diaphragm formed on a silicon substrate, which bends with applied pressure and generate millivoltage or millicurrent proportional to the pressure applied.



## Supplied with ...

● Included ○ Optional

| DESCRIPTION                              | MP 130 S |
|--|----------|
| Pressure sensor from 0 to $\pm 130$ mbar | ●        |
| Sealing kit                              | ●        |
| Adjusting certificate                    | ●        |
| Transport case                           | ●        |
| Calibration certificate                  | ○        |



## Sealing kit includes :

| Connectors                       |   | Plugs |  |
|----------------------------------|---|-------|--|
|                                  | Stainless steel male connector, 9 mm diameter   |       | Plug : outside diameter : 22-44 mm 9 mm male connector |
|                                  | Stainless steel female connector, 9 mm diameter |       | Plug : outside diameter : 18-32 mm 9 mm male connector |
| Tap with 2 valves and 3 channels | Pressurization pump                             |       |  |
|                                  | Rubber pump                                     |       |  |

## Accessories

| CE 100  | J.T.C or J.Y.C   | See related datasheet  |
|---|--|--|
| Protective cover with magnet and holding system | Straight connections, in T or Y for tube $\varnothing 5 \times 8$ mm | Pitot tube available in many lengths $\varnothing 3/6$ or 8 mm, with or without temperature compensation |

## Warranty period

Instruments have one year guarantee for any manufacturing defect (return to our After-Sales Service required for appraisal).